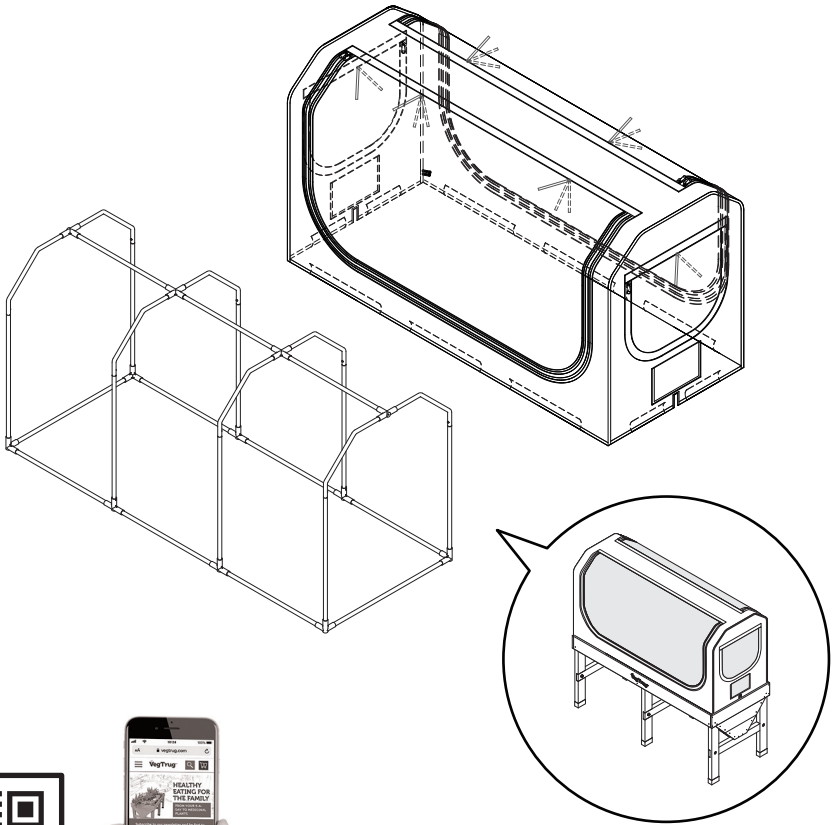
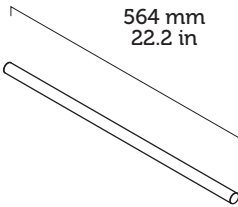
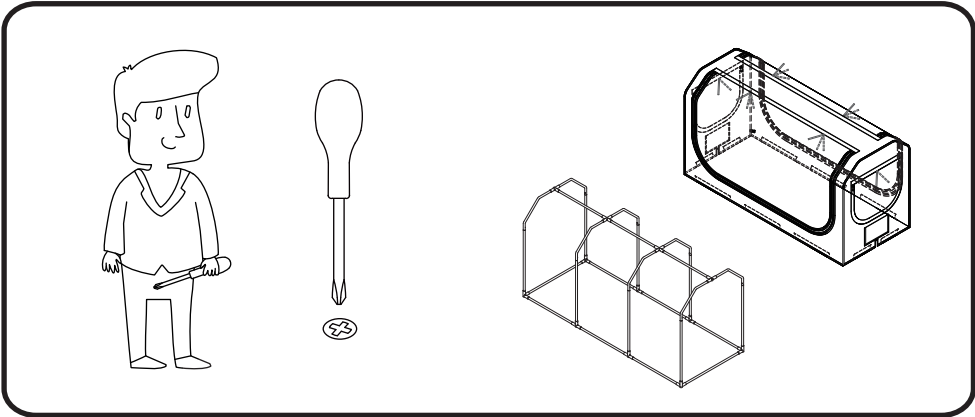


Medium Greenhouse Multi Cover Kit

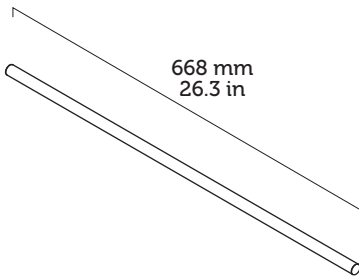


Visit www.vegtrug.com to see what you can grow

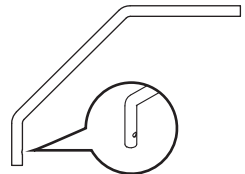
VegTrug[®]
See what you can grow



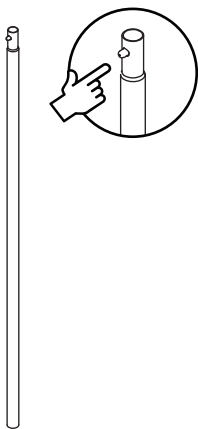
A x 9



B x 2



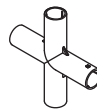
C x 8



D x 8



E x 6



F x 2



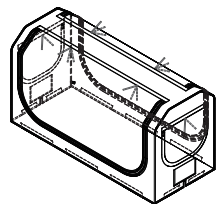
G x 4



H x 2

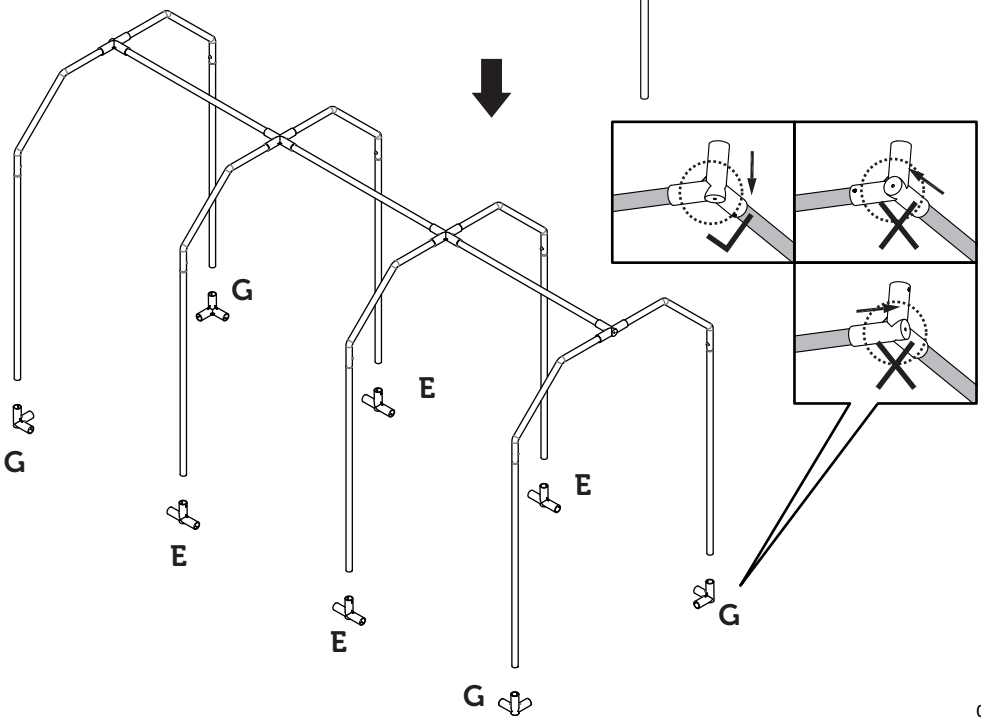
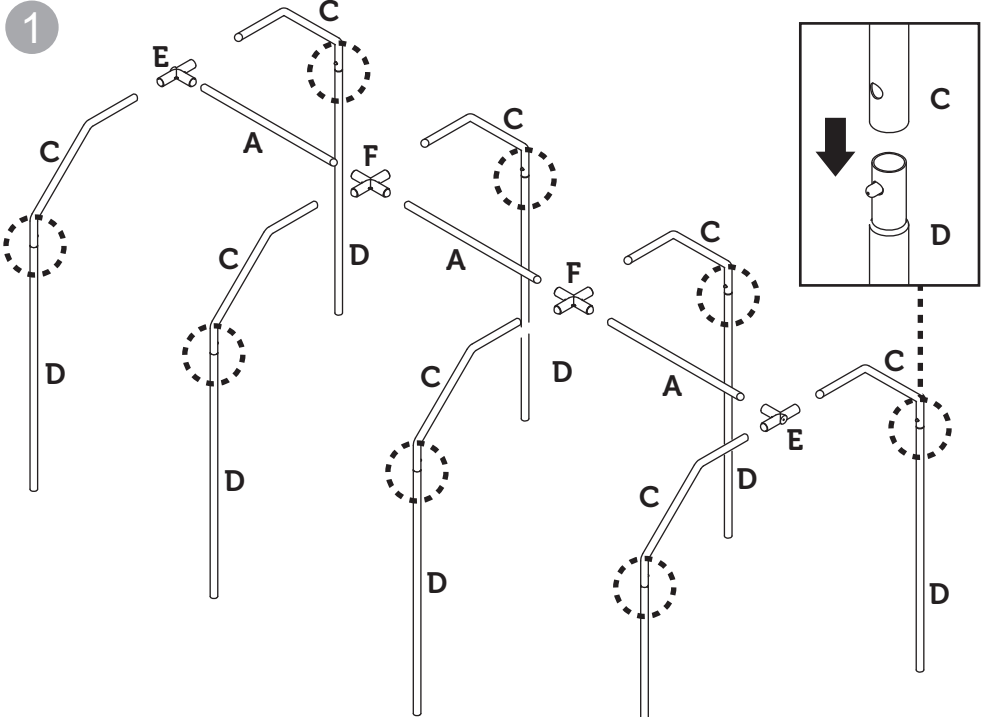


I x 4

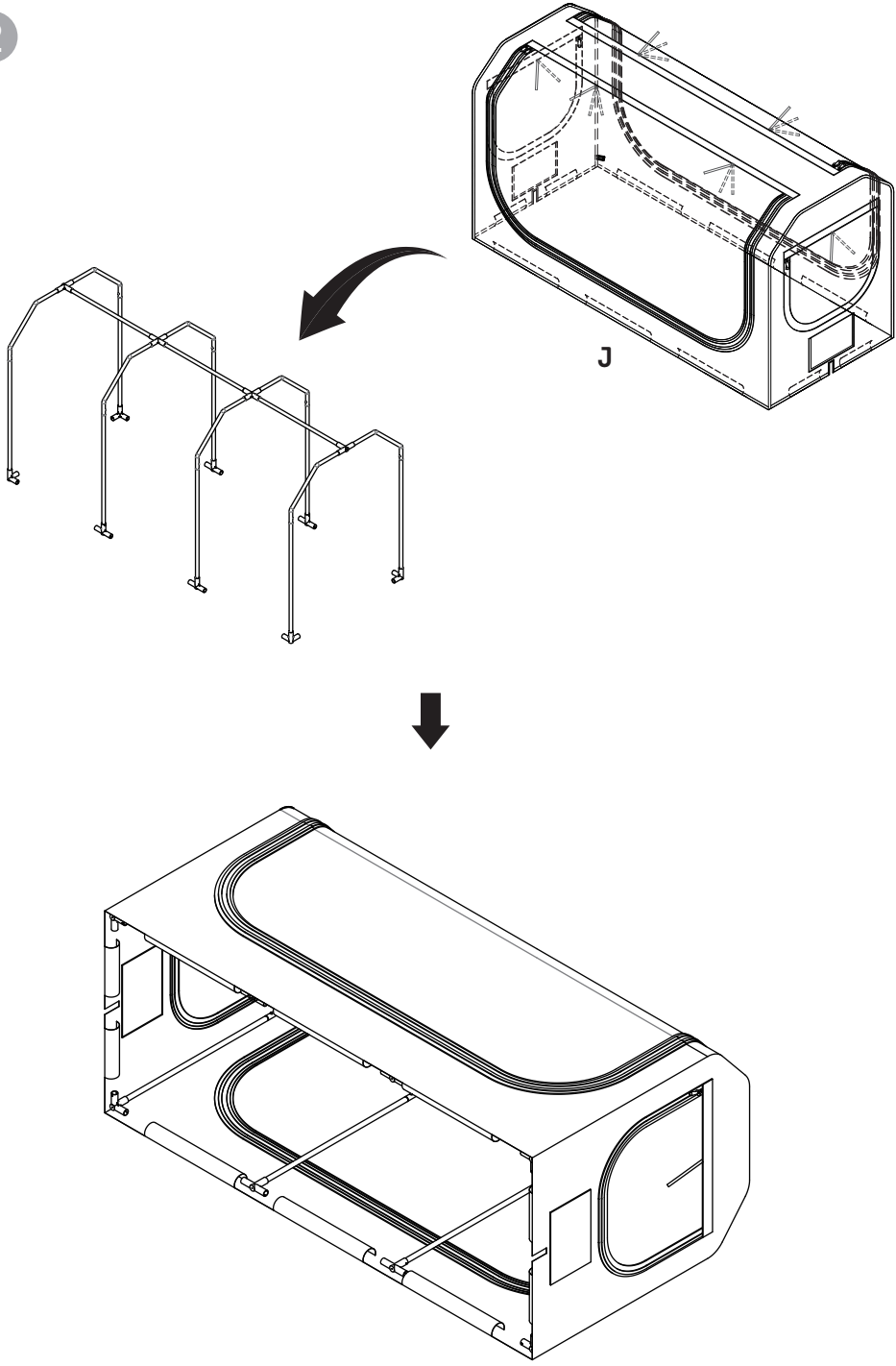


J x 1

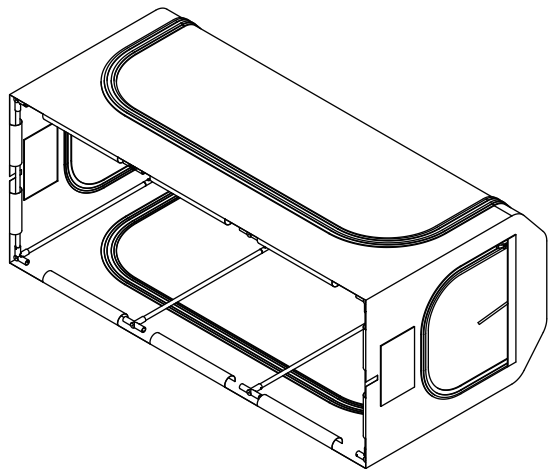
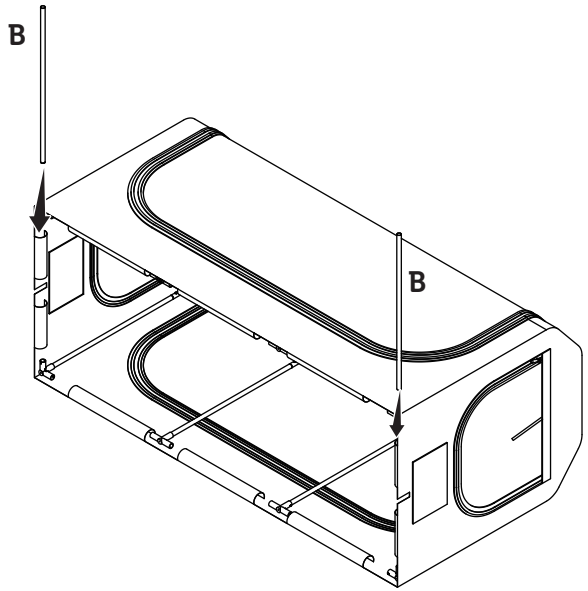
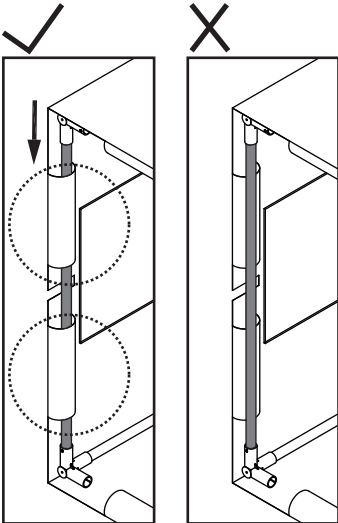
1



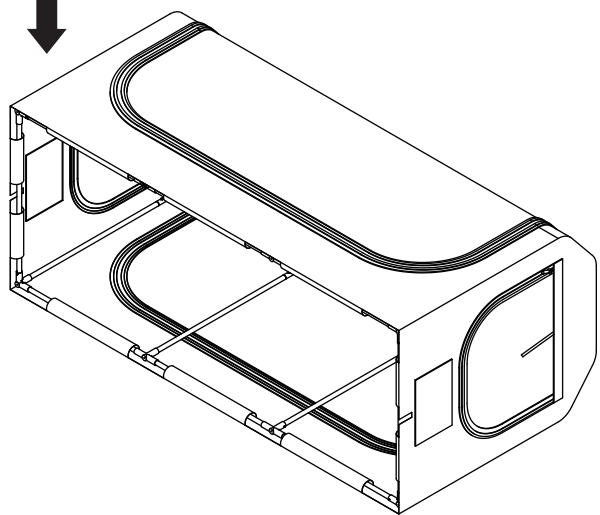
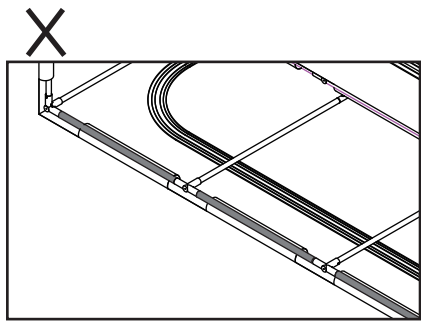
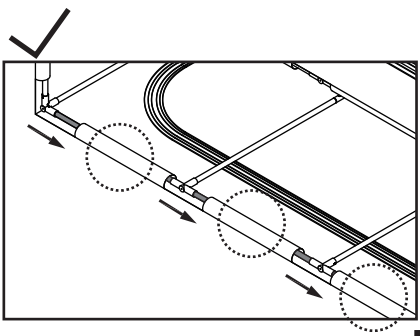
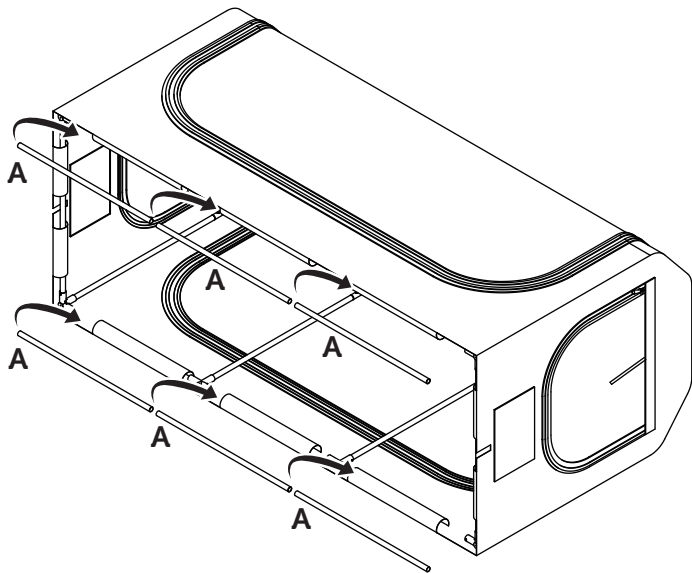
2

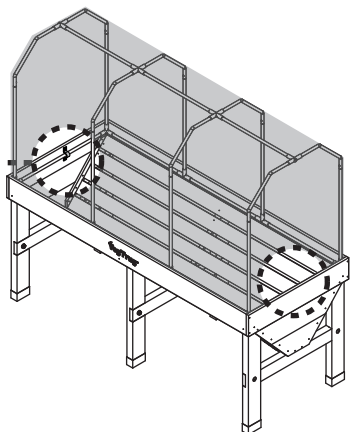
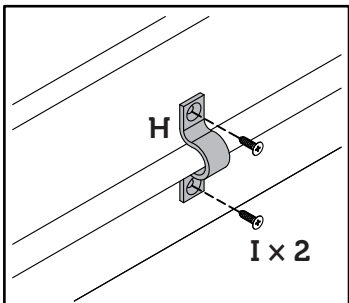
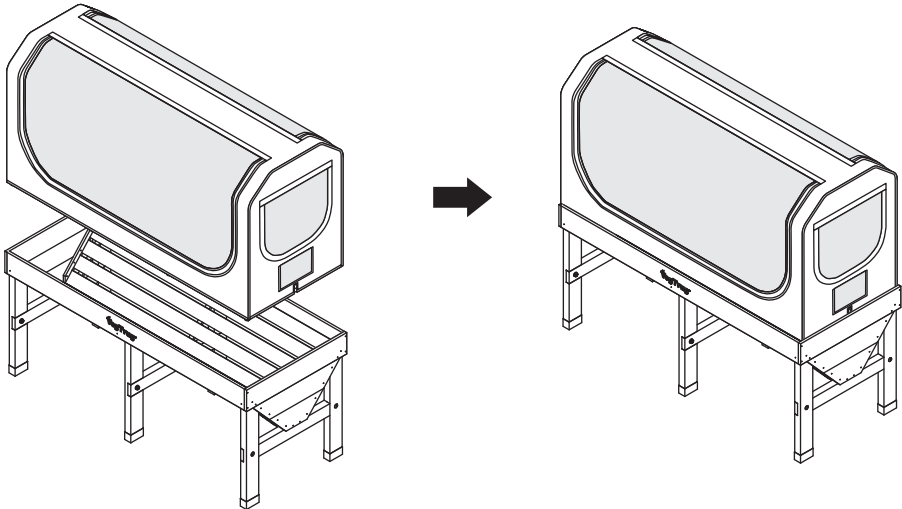
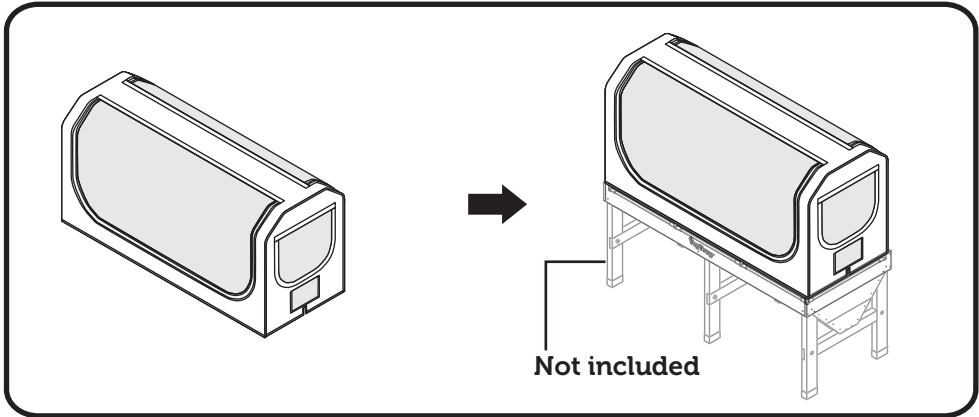


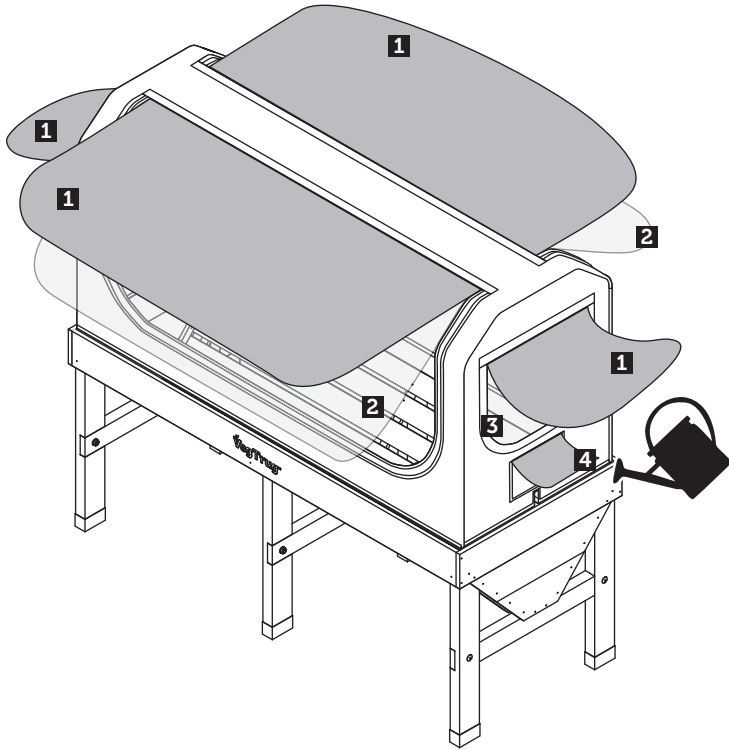
3



4







1 Reinforced greenhouse cover

Reinforced greenhouse cover for colder months

2 Micro mesh cover

Micro mesh cover for warmer months (insect protection)

3 Micro mesh cover*

Micro mesh cover for warmer months (insect protection)

*Micro mesh covers on the sides are always closed

4 Reinforced greenhouse cover

Easy fill opening system when combined with VegTrug water reservoir (sold separately)